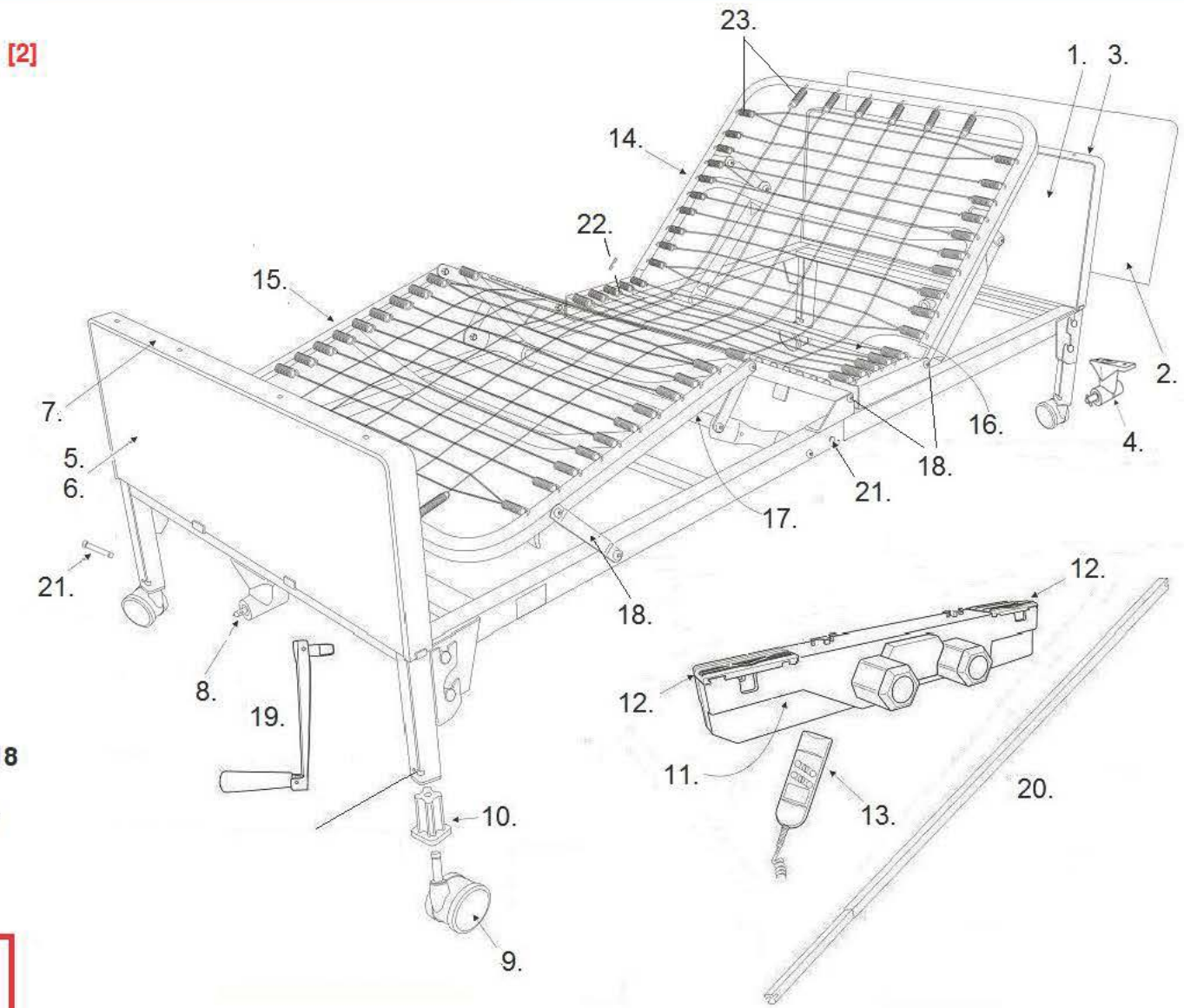


15030

SEMI-ELECTRIC BED



[2]

[2]

[2]

[2]

[2]

[2]

[2]

[2]

[2]

[2]

[2]

[2]

[2]

- 1. Head Board-15544H [1]
- 2. Head Panel- 15544HP-1
- 3. Head Panel Frame- 15544HPF
- 4. Head Board Gear Box- 15544HGB
- 5. Foot Board- 15544F [1]
- 6. Foot Panel- 15044P
- 7. Foot Panel Frame- 15544FPF
- 8. Foot Board Gear Box- 15544FGB
- 9. Non-Locking Caster- 15044CNL
- 9. Locking Caster- 15044CL
- 9. Caster Set (2 of ea)- 15044CSET
- 10. Caster Receptacle- 15005P-1027
- 11. Motor- 15038 MO
- 12. Motor Mount Cover- 15030-7RMM
- 13. Hand Pendant- 15030HC-G
- 14. Head Spring Deck- [2]
- 15. Foot Spring Deck- [2]
- 16. Head Actuating Bar- [2]
- 17. Foot Actuating Bar- [2]
- 18. Frame Linkage- 15030-FRLINK
- Spring Deck Bolt- 15030-FRLINK
(2 include with this part)
- 19. Crank New Style- 15544C
- 20. Hi/Lo Shaft- 15005S
- 21. Locking Pin Frme & Leg- 15005P1018
- 22. Spring Deck Hook- 15005P-1040
- 23. Spring Top/Bottom- 15005-SPRING
- Spring Sides- 15005-SPRING-1

Dewert® Motor



GEAR BOX

15030MW Motor Only
15030HC Hand Control
15030MWHC Motor and Hand Control

Okin® Motor



2 GEAR BOXES ON ONE SIDE

15030MO Motor Only
15030-OHC Hand Control
15030MOHC Motor and Hand Control

Dewert® Motor



1 of 2 GEAR BOXES (ONE ON EACH SIDE)

No Longer Available

[1] Head & Foot Board Set- 15544H-F
[2] The part is no longer available.



Universal Head & Foot Boards & their parts are No Longer Available